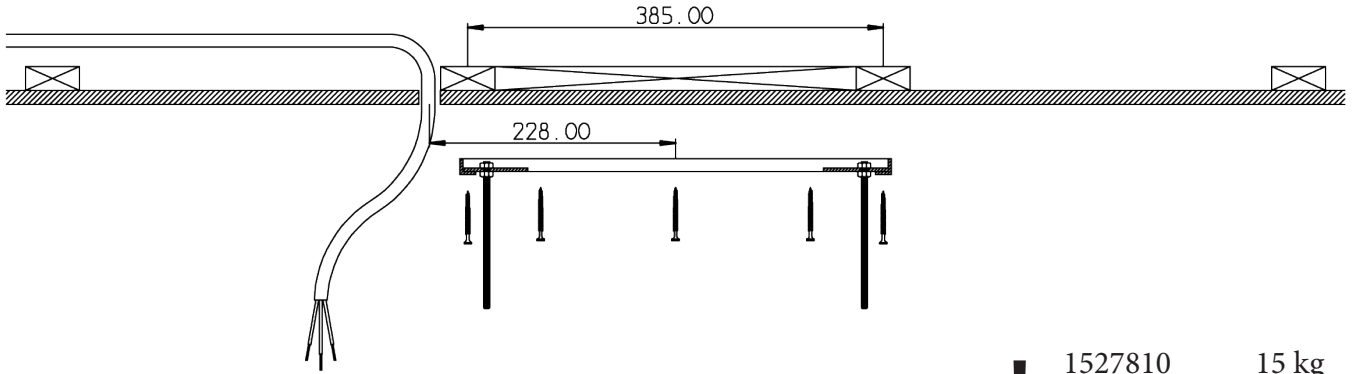




KIMMEL

- 1527810
- 1527811
- 1527812
- 1527813
- 1527814



12 kpl 5 x 50

| | | |
|---|---------|-------|
| ! | 1527810 | 15 kg |
| ● | 1527811 | 20 kg |
| | 1527812 | 25 kg |
| | 1527813 | 30 kg |
| | 1527814 | 35 kg |

